

8

7

6

5

4

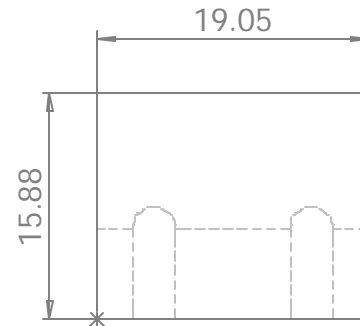
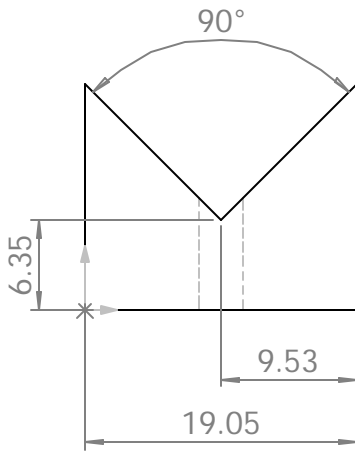
3

2

1

D

D

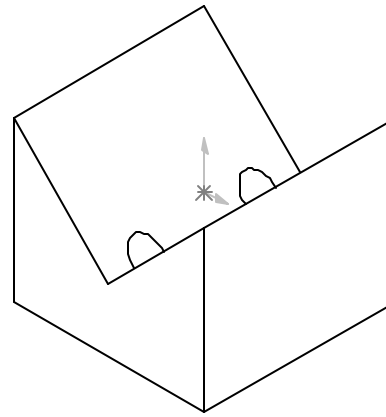
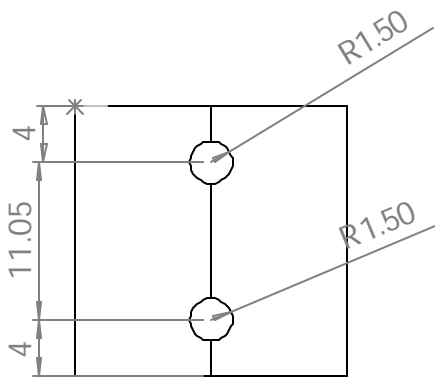


C

C

B

B



A

A

SolidWorks Student Edition
Academic Use Only

Massachusetts Institute of Technology Precision Engineering Research Group	
Alternate Groove Design	
01/17/2001	Patrick Willoughby
Units in mm	All Tolerances $\pm 0.05\text{mm}$

8

7

6

5

4

3

2

1